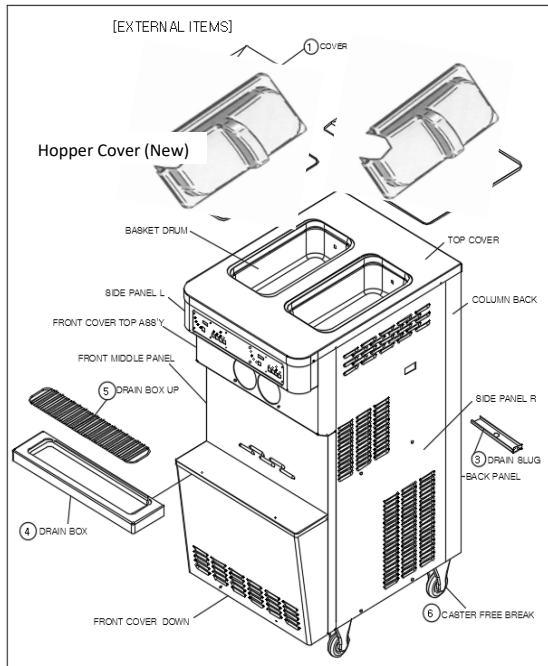




**PART LIST FOR ISI-303SNA**

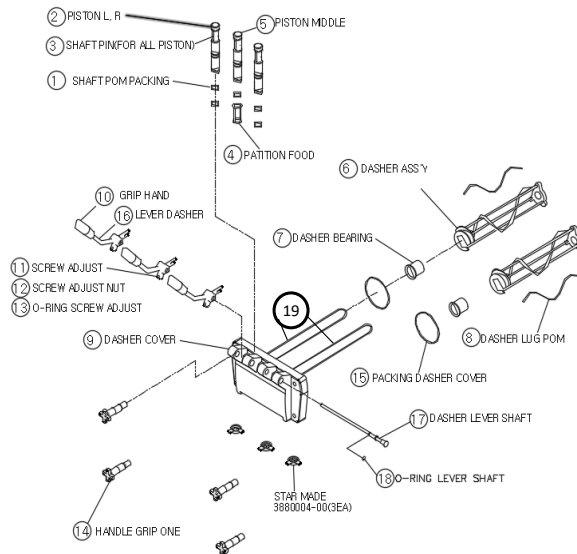
Revised in August 2024

ISI-303SNA EXTERNAL ITEMS



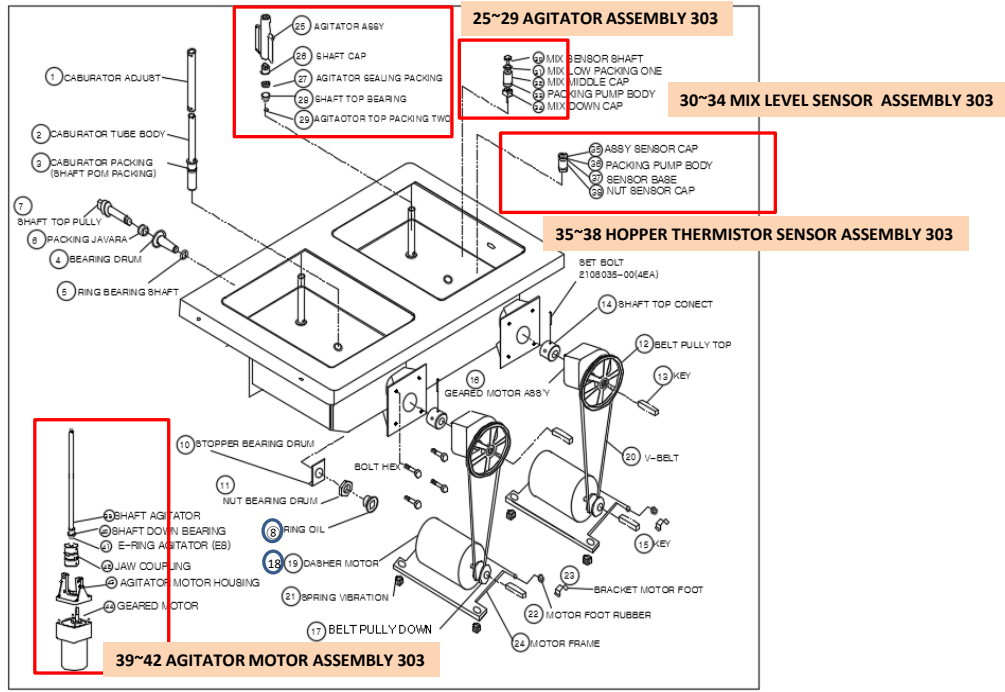
NO	PART DESCRIPTION(NEW FORMAT)	PART NAME(OLD)	PART NUMBER	Requested Q'ty
1	HOPPER COVER 301 303	COVER BASKET	317132100	2
3	DRIP PAN 303	DRAIN SLUG	610010900	2
4	TRAY-DRIP 303	DRAIN BOX	336009100	1
5	SHEILD-SPLASH 303	DRAIN BOX UP	336008900	1
6	CASTER 303	CASTER FREE BREA	218001800	4

ISI-303SNA DOOR AND BEATER ASSEMBLY



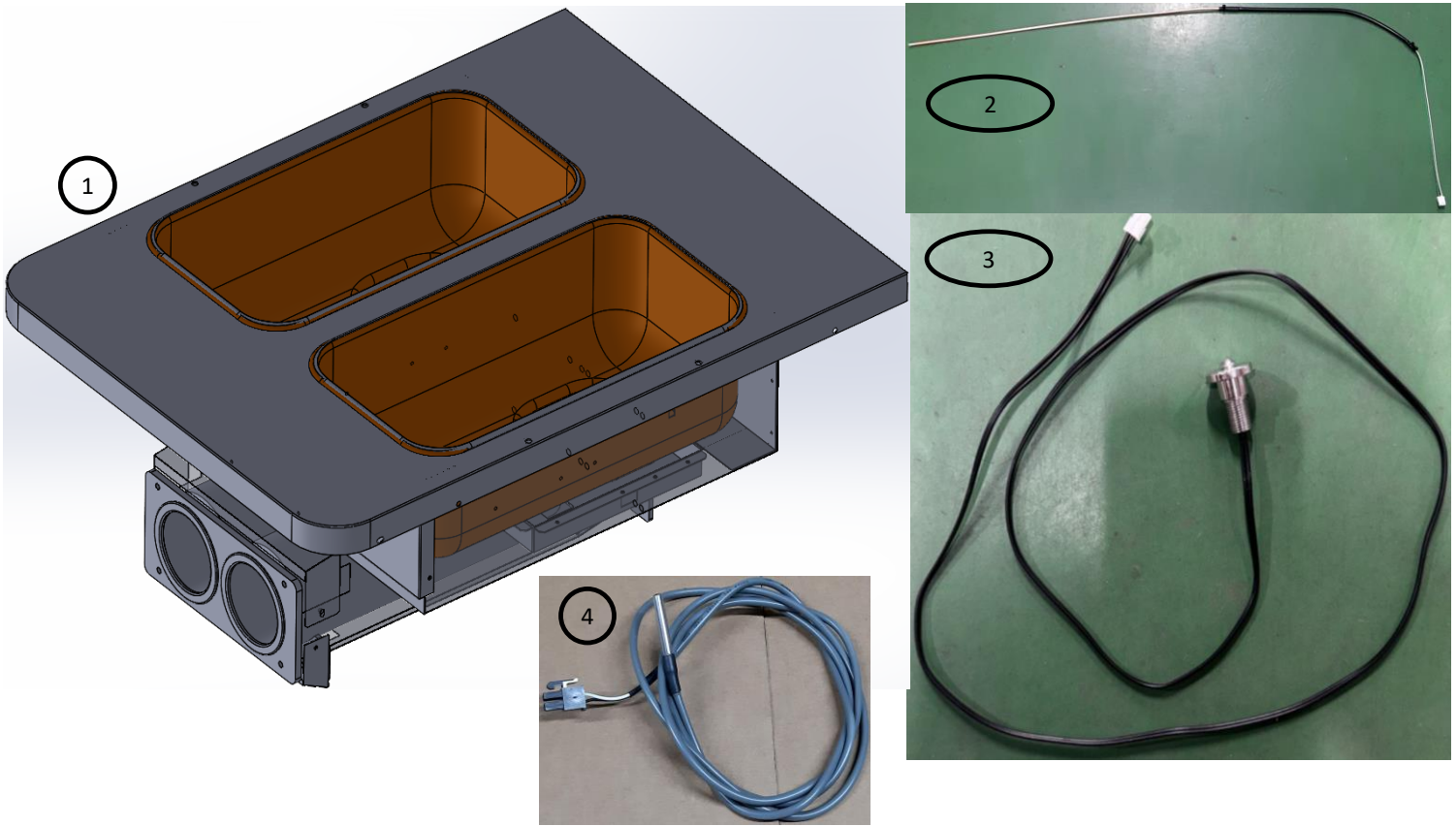
NO	PART DESCRIPTION(NEW FORMAT)	PART NAME(OLD)	PART NUMBER	Requested Q'ty
1	O-RING DRAW VALVE 203 303 VITON	SHAFT POM PACKING	303055200	8
2	DRAW VALVE 203 303	PISTON (L/R)	314034900	2
3	DRAW VALVE PIN	SHAFT PIN (FOR ALL PISTONS)	315002900	3
4	H-RING DRAW VALVE 203 303 VITON	PARTITION FOOD	232002801	1
5	DRAW VALVE - CENTER 203 303	PISTON MIDDLE	314034800	1
19	BAFFLE 301 303	MIXING SHAFT	314005800	2
6	BEATER 303	DASHER ASSY	403002900	2
7	BEARING DOOR-HUB 303	DASHER BEARING	310001002	2
8	SCRAPER BLADE 301 303	DASHER LUG POM	403010200	4
9	DOOR-FREEZING CYLINDER 203 303	DASHER COVER	317140602	1
10	DRAW LEVER HANDLE 203 303	GRIP HAND	342002600	3
11	SCREW ADJUSTMENT 163TT	SCREW ADJUST	210806100	3
12	HEX NUT-SCREW ADJUSTMENT 161	ADJUST NUT	215011000	3
13	O-RING SCREW ADJUSTMENT 163TT	O-RING SCREW ADJUST	303017700	3
14	NUT-STUD 203 303	HANDLE GRIP ONE	443038600	4
15	GASKET-DOOR 203 301 303	PACKING DASHER COVER	303025800	2
16	DRAW LEVER 203 303	LEVER DASHER	309003200	3
17	PIN-PIVOT 203 303	LEVER SHAFT	314007000	1
18	O-RING PIN-PIVOT	O-RING LEVER SHAFT	303020000	1

[ ISI-303SNA, ISI-303SNWA MOVING PART]



NO	PART DESCRIPTION(NEW FORMAT)	Part name	Part code	Requested Q'ty
1	FEED TUBE 303	CARBURETOR ADJUST	234000600	2
2	FEED TUBE BODY 303	CARBURETOR TUBE BODY	234000700	2
3	FEED TUBE BODY O-RING 203 303	RING CARBURETOR	232002500	4
4	DRIVE SHAFT 203 303	BEARING DRUM	327005701	2
5	DRIVE SHAFT RING 203 303	RING BEARING SHAFT	232003700	2
6	DRIVE SHAFT SEAL 203 303	PACKING JAVARA 16	303031700	2
7	BEATER SHAFT 203 303	SHAFT TOP PULLY	314013301	2
8	OIL SEAL 203 303	RING OIL	232001900	2
10	STOPPER BEARING CYLINDER 203 303	STOPPER BEARING DRUM	398009100	2
11	NUT BEARING CYLINDER 203 303	NUT BEARING DRUM	327005500	2
12	BELT PULLY UPPER 203 303	BELT PULLY TOP	307002000	2
13	BELT PULLY KEY UPPER (5*5, 15) 203 303	KEY (5*5, 15)	219001500	2
14	COUPLING DRIVE 203 303	SHAFT TOP CONECT	314006100	2
15	BELT PULLY KEY LOWER (6*6, 32) 203 303	KEY (6*6, 32)	219001600	2
16	GEAR REDUCER 203 303	GEARED MOTOR (220V,380V/60HZ/3PH) (380V/50HZ/3PH)	406008002	2
17	BELT PULLY LOWER 203 303	BELT PULLY DOWN	307004400	2
18	BEATER MOTOR (220V,380V/60HZ/3PH) 303	DASHER MOTOR (220V,380V/60HZ)	353017800	2
	MOTOR CAPACITOR 125VAC	CAPACITOR (125VAC)	387001300	2
	MOTOR CAPACITOR 250VAC	CAPACITOR (250VAC)	387001400	2
20	V-BELT(A-32)-303	V-BELT (A-32)	305001800	4
21	SPRING VIBRATION 303	SPRING VIBRATION	323002400	4
22	MOTOR FOOT RUBBER 203 303	MOTOR FOOT RUBBER	353008200	4
23	BRACKET MOTOR FOOT 303	BRACKET MOTOR FOOT	301038200	4
24	MOTOR FRAME 303	MOTOR FRAME	353009500	2
25~29	AGITATOR ASSEMBLY 303	ASSY AGITATOR PART 303SNA	436005300	2
25	AGITATOR PADDLE 301 303	AGITATOR ASSY (ISI-303SNA ONLY)	436001500	2
30~34	MIX LEVEL SENSOR ASSEMBLY 303	ASSY MIX SENSOR-ASSEMBLY	655011810	2
35~38	HOPPER THERMISTOR SENSOR ASSEMBLY 303	ASSY TEMP SENSOR-ASSEMBLY	319009500	2
39~42	AGITATOR MOTOR ASSEMBLY 303	ASSY AGITATOR MOTOR PART 303	406030100	2

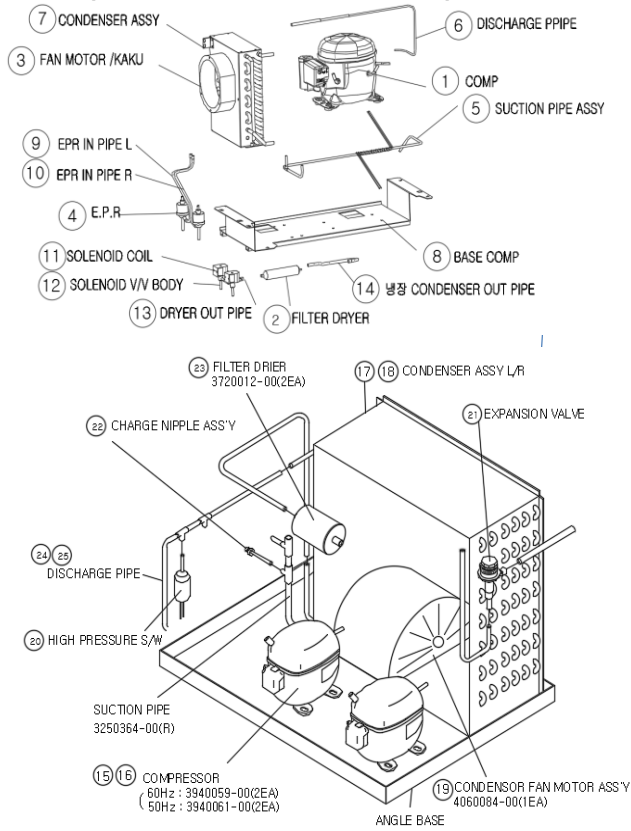
ISI-303SNA SHELL&HOPPER



ISI-303SNA 3Φ,220V,60Hz

NO	PART DESCRIPTION(NEW FORMAT)	PART NAME(OLD)	PART NUMBER	Requested Q'ty
1	SHELL AND HOPPER 303SNA	ASSY DRUM 303SN	410010910	2
2	THERMISTOR SENSOR-CYLINDER 203 303	THERMAL SENSOR CYLINDER	317075102	2
3	HOPPER THERMISTOR SENSOR ASSEMBLY 303	ASSY SENSOR CAP	319009500	2
4	THERMISTOR SENSOR-CONDENSER 303	EVA SENSOR SB(BLACK)	655008200	2

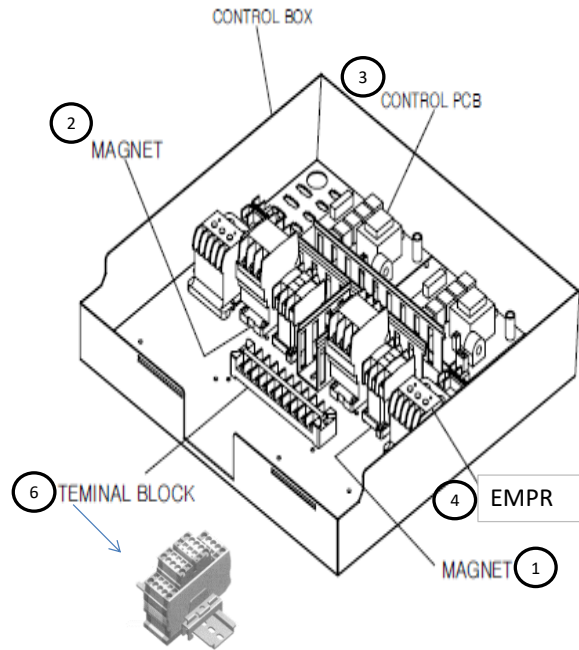
[ISI-303SNA --REFRIGERATION UNIT ASSEMBLY]



NO	PART DESCRIPTION(NEW FORMAT)	PART NAME(OLD)	PART NUMBER	Requested Q'ty
1	COMPRESSOR ML90TG 303	COMP/ML90TG (FOR REFRIGERATOR) 220V,380V/60HZ/3PH / 380V/50HZ/3PH	394004100	1
1-1		OLP (ML90TG/ 230V 60HZ)	658004200	
2	FILTER DRYER	FILTER DRYER (SAUSAGE TYPE)	372002601	1
3	MOTOR FAN 303	FAN MOTOR /KAKU (ISI-303S)	353025200	1
4	E.P.R 203 303	E.P.R	523000300	1
5	SUCTION PIPE ASSEMBLY 303	SUCTION PIPE ASSY (ISI-303S)	433013110	1
6	REFRIGERATING DISCHARGE PIPE 303	REFRIGERATING DISCHARGE PIPE	325036510	1
7	CONDENSER ASSEMBLY-REFRIGERATION 303	CONDENSER ASSY	411007010	1
8	COMPRESSOR PLATE 303	BASE COMP	318039410	1
9	REFRIGERATING EPR IN PIPE LEFT 303	REFRIGERATING EPR IN PIPE L	325149100	1
10	REFRIGERATING EPR IN PIPE RIGHT 303	REFRIGERATING EPR IN PIPE R	325149200	1
11	SOLENOID VALVE COIL 303	SOLENOID VALVE COIL	340006602	2
12	SOLENOID VALVE BODY 303	SOLENOID VALVE BODY	340014100	2
13	DRY OUT PIPE 303	DRY OUT PIPE	325038610	1
14	REFRIGERATING CONDENSER OUT PIPE 303	REFRIGERATING CONDENSER OUT PIPE	325036610	1
15	COMPRESSOR TFH2480Z 303	COMP/TFH2480Z(K)(FOR FREEZER /220V/60HZ/3PH) (STARTER KIT -INTERNAL)	394006200	2
17	CONDENSER ASSEMBLY LEFT 303	CONDENSER ASSY (L) ISI-303S	411007300	1
18	CONDENSER ASSEMBLY RIGHT 303	CONDENSER ASSY R ISI-303S	411007400	1
19	MOTOR FAN ASSEMBLY FOR CONDENSER 303	CONDENSER FAN MOTOR ASSY	406008400	1
20	HIGH PRESSURE CUT OUT 163TT 203 303	HIGH PRESSURE SWITCH	355007700	2
21	AXV 203 271 303	EXPANSION V/V	340006100	2
22	ACCESS VALVE 203 303	CHARGE NIPPLE ASSY-100	459000400	4
23	FILTER DRYER - CYLINDER 303	FILTER DRYER (FOR FREEZER)	372001200	2
24	DISCHARGE PIPE ASSEMBLY RIGHT	DISCHARGE PIPE ASSY (R)	433007800	1
25	DISCHARGE PIPE ASSEMBLY LEFT	DISCHARGE PIPE ASSY (L)	433007900	1

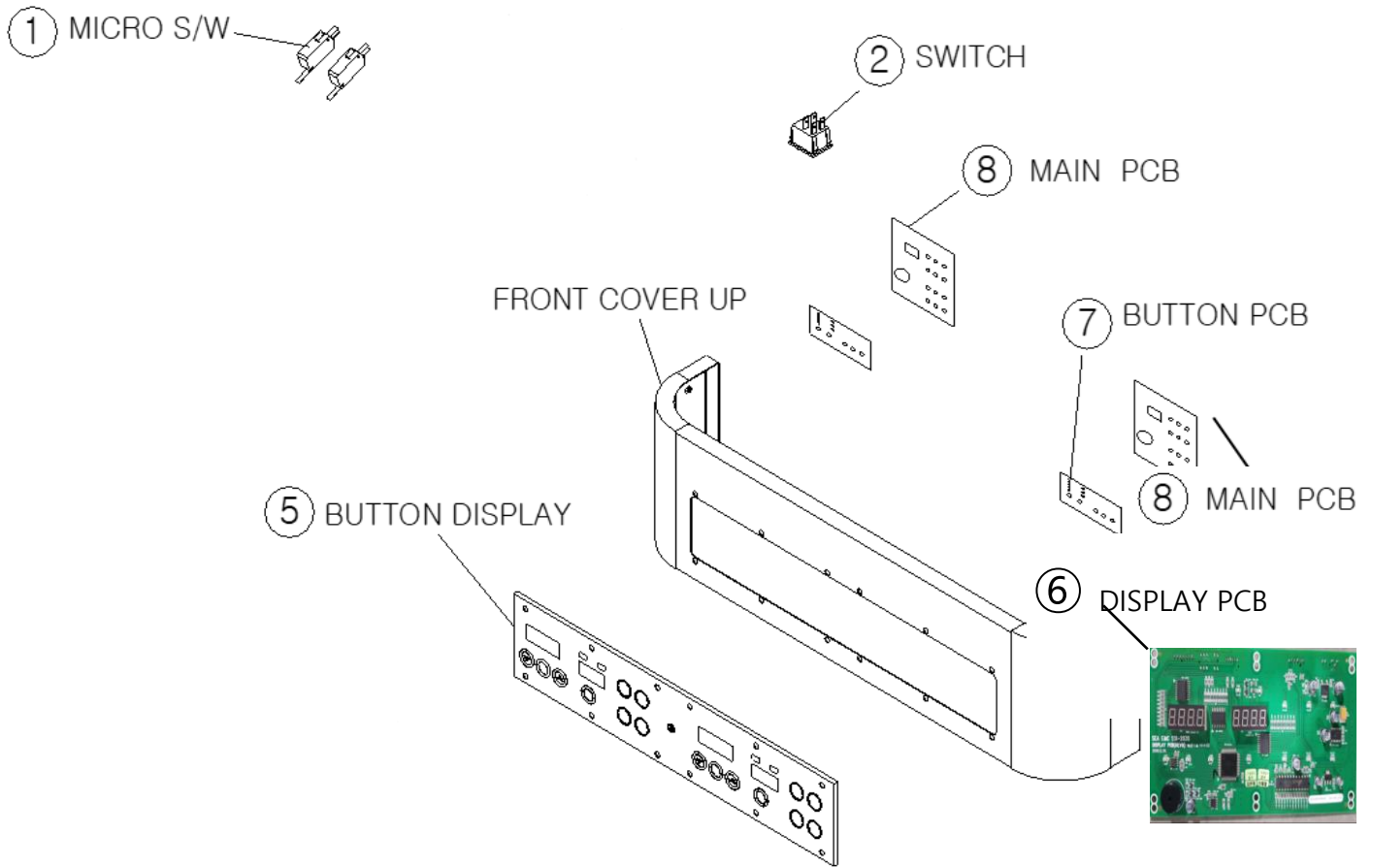


[ISI-303SNA CONTROL BOARD]



NO	PART DESCRIPTION(NEW FORMAT)	PART NAME(OLD)	PART NUMBER	Requested Q'ty
1	MAGNETIC CONTACTOR 303	MAGNET CONTACTOR	322005000	2
2	MAGNETIC CONTACTOR (3a) 203 303	MAGNET	322003800	2
3	CONTROL PCB 163 203 301 303	CONTROL PCB	367006002	2
4	EMPR 203 301 303	EMPR	356000800	2
5	RELAY HOPPER CONTROL 163 203 303	RELAY	602000500	2
6	TERMINAL BLOCK ASSEMBLY(220V/60HZ/3PH	ASSY TERMINAL BLOCK (ISI-303S	704000300	1

**[ISI-303SNA DISPLAY PANEL ASSEMBLY]**



NO	PART DESCRIPTION(NEW FORMAT)	PART NAME(OLD)	PART NUMBER	Requested Q'ty
1	MICRO SWITCH 163 203 303	ASSY MICRO SWITCH	460002700	3
	HARNESS MICRO SWITCH 203 303	HARNESS MICRO S/W	377170200	3
2	MAIN SWTICH 163 203 303	SWITCH	355012400	1
5	BUTTON DISPLAY PANEL 163 203 303	<b>BUTTON DISPLAY (203SN-NO HOLE)</b>	<b>440030501</b>	1
6	DISPLAY PCB 163 203 301 303	DISPLAY PCB	367005704	2
7	BUTTON PCB 163 203 301 303	BUTTON PCB	367005901	2
8	MAIN PCB 163 203 301 303	MAIN PCB	367005805	2